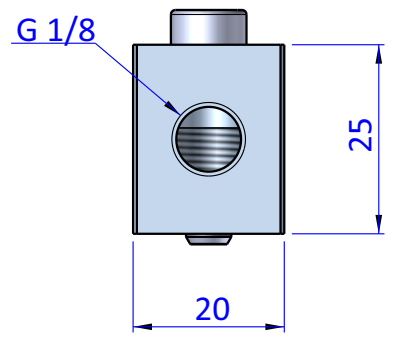
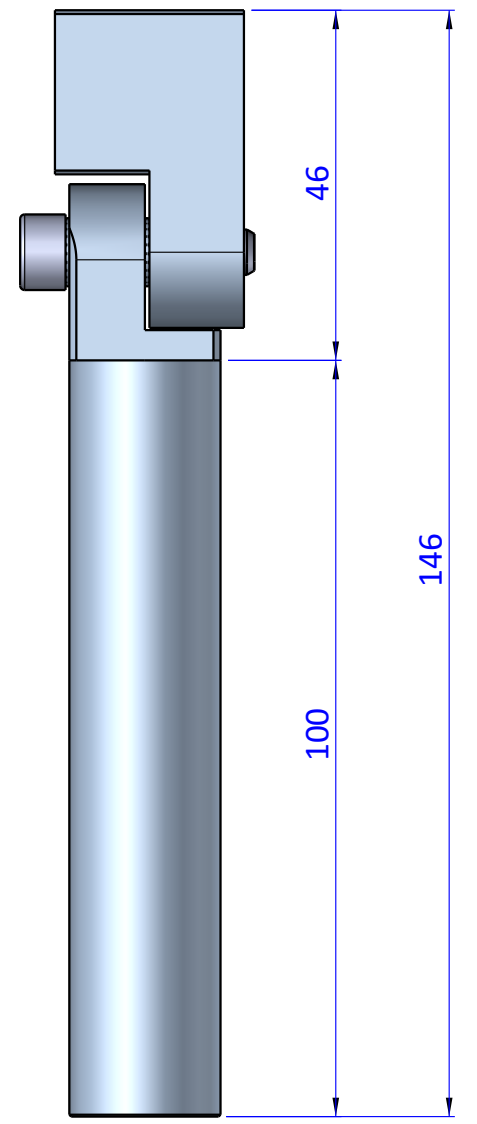
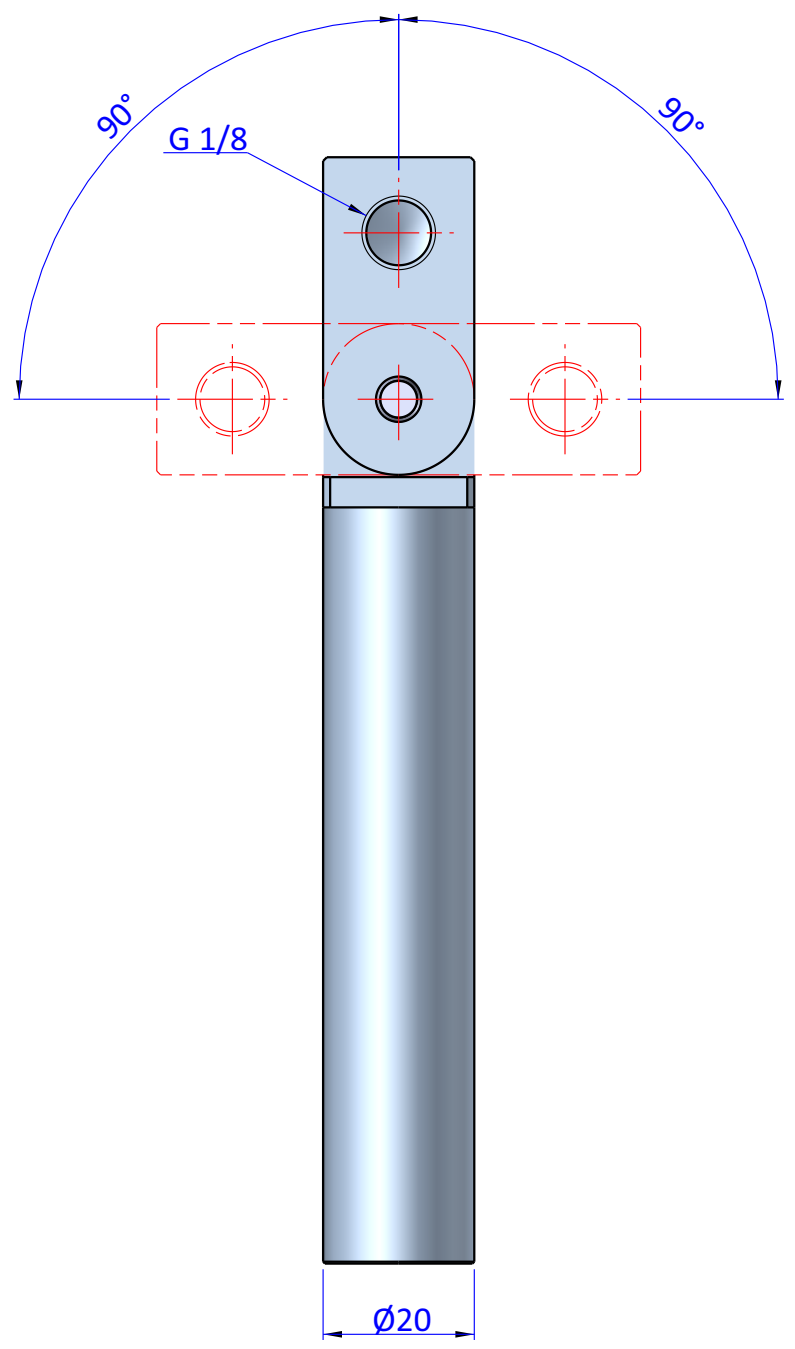
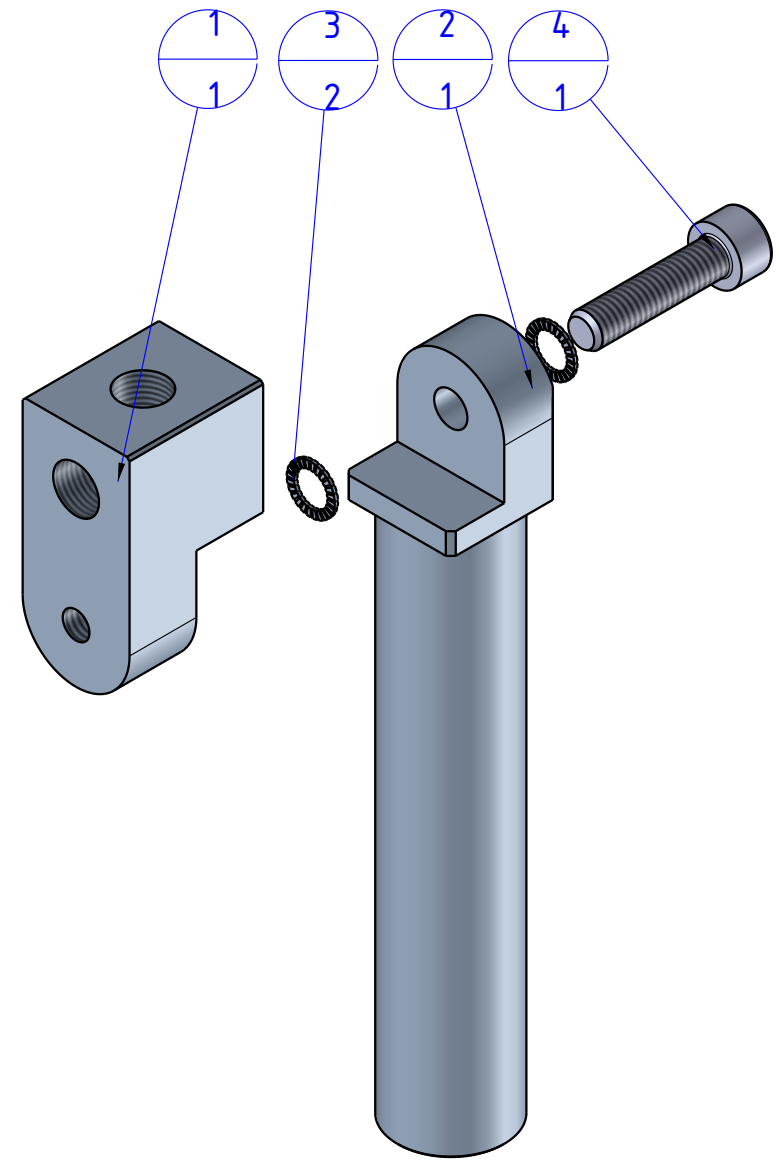

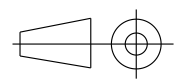


THE PROPERTY OF THE DRAWING IS ESTABLISHED BY LAW. IT IS FORBIDDEN TO PRODUCE OR SHOW IT TO THIRD PART. WITHOUT A WRITTEN AGREEMENT.

Item	Name	Q.ty
1	GGE.20.18.18	1
2	GLA.20.1.100	1
3	R.6.SCH	2
4	V.TCE6x25	1



Format A3  
UNI 936-76

 <b>FPS</b> FPSERVICES AUTOMATION			DESIGNED FROM <b>FPS Automation</b>	REVIEW <b>A</b>
GENERAL TOLERANCE UNI - ISO 2768 CLASSE f		DESCRIPTION <b>CA.GGE.20.18.18</b>	DATE 15/09/2020	WEIGHT 0,096kg
		CODE <b>CA.GGE.20.18.18</b>		